



GREEN ENERGY NETWORK

Regd.Office:-H.No.1534/C-101 Parmar Nagar Co.Op.Hsg.Soc. At Bhuvaneshwar,
Post Varse,Tal.Roha-Raigad Maharashtra 402109 India. 8308378882/9422094430



TDS

3R LIGHT - WEATHER PROOF WELL GLASS (NON FLAME PROOF) - 80 W



Product Specification

| | |
|----------|-------------------------------|
| Name | Weather Proof Well Glass 80 W |
| Model No | GENWPWGCOB-ES-80 |
| Doc.No | GENWPWGCOB-ES-80/1 |
| Date | 30/04/2020. |

Application

| | |
|---------------------------|----------------------|
| Chemical Industries | Oil Refinery |
| Mining Industries | Hazardous Industries |
| Petro Chemical Industries | |

Technical Specification Of 80 W Weather Proof Well Glass Fitting (Non Flame Proof) - 3R LIGHT

Characteristics

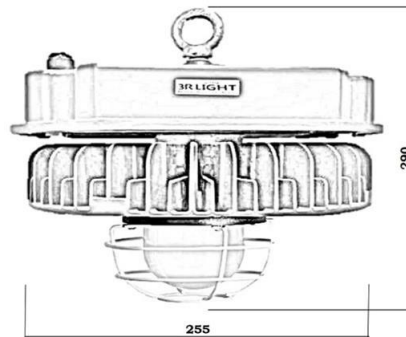
Standred Value

| | |
|--|---|
| SYSTEMS Wattage | 80 Watt (± 5%) |
| SYSTEMS Input Voltage | 240 Voltage |
| SYSTEMS Input Frequency | 50 / 60 Hz |
| SYSTEMS Input Current | 0.38 A |
| SYSTEMS Power Factor | > 0.96 THD - < 10% |
| SYSTEMS Efficiency | > 86.5% |
| SYSTEMS Light Spreding Angle | Diffuse Degree |
| SYSTEMS Temperture Class | T 6 |
| SYSTEMS IP Standred | Indoor IP 66 |
| SYSTEMS Total Weight | 3.8 Kg (Approx) |
| SYSTEMS Starting Time | Rapid .4 Sec. |
| SYSTEMS Warranty | 3 Years |
| LED Make | Citizen / Bridgelux |
| LED Certification | LM 80 |
| LED Lamp Type | COB |
| LED Lamp Lumen @25 Degree C | 10598 Lumens |
| LED Lamp Lumen Efficacy (Lm/Watt) | 160 - 165 Lu / Watt |
| LED Lamp CCT/ Color Rendering Index | 6500K / RA 80 Min |
| LED Lamp Wattage/ Current / Voltage | 73.6 W / 1800 mA / 36 V @ Tc 25 Degree C. |
| LED Lamp Life | 50,000 Hours |
| LED Lamp Identification Feature | Unique Sr.No on each LED. |
| Actual test report of CITIZEN LED Lamp | Actual Operating test Report for 50,000 Hrs. |
| Driver Type | Constant Current (CC) mode (Fulham / Eco Led) |
| Driver Input Voltage Range | 90 ~ 305 V AC |
| Driver Frequency Range | 47 Hz - 63 Hz |
| Driver Output Protection | Short Circuit, Over Voltage, Surge , IUVP, OOVV |
| Driver Surge Protection | Inbuilt 04 KV |
| Luminaries Junction Temperature - Tj | < 84 Degree C. |
| Luminaries Case Temperature - Tc | < 60 Degree C. |
| MOC- Heat sink | Aluminium Casting - LM -06 |



Regd.Office:-H.No.1534/C-101 Parmar Nagar Co.Op.Hsg.Soc. At Bhuvaneshwar,
Post Varse, Tal.Roha-Raigad Maharashtra 402109 India. 8308378882/9422094430

Schematic Drawing



- All Technical Parameters & Drawing consider + - 05%

3R Light SPECIALITY :

This Fixture is providing required spreaded illumination level without Glare through diffused light.

3R Light products are having Precise Thermal management for longer life and Precise light spreading angle for required illumination.

- Information & Product Change With Out Any Notice

Prepared By

Reviewed By

Approved By

SALES & MARKETING OFFICE

SHOP NO.03 & 04, SUNCITY GARDEN PHASE NO.01, BEHIND NAVRATNA HOTEL, AT BHUVANESHWAR, POST- VARSE TAL. ROHA, DIST- RAIGAD, MAHARASHTRA 402109 INDIA. PH.NO.02194-233900, 8308378882, 8308378252

Email: sales@genlights.in, Web: www.genlights.in

FACTORY I

686, AT POST MEDHA, HANUMANT ALI, NEAR BHAIRI TEMPLE, TAL- ROHA, DIST-RAIGAD, MAHARASHTRA 402109 INDIA.

FACTORY II

SHED NO.9/10/11, SURVEY NO.298/1, NEAR L-230, NAGAPUR MIDC, AHMEDNAGAR 414111