



# GREEN ENERGY NETWORK

Regd.Office:-H.No.1534/C-101 Parmar Nagar Co.Op.Hsg.Soc. At Bhuvaneshwar,  
Post Varse,Tal.Roha-Raigad Maharashtra 402109 India. 8308378882/9422094430



**TDS**

## 3R LIGHT - WEATHER PROOF WELL GLASS ( NON FLAME PROOF ) - 100 W



### Product Specification

Name	Weather Proof Well Glass 100 W
Model No	GENWPWGCOB-ES-100
Doc.No	GENWPWGCOB-ES-100/1
Date	30/04/2020.

### Application

Chemical Industries	Oil Refinery
Mining Industries	Hazardous Industries
Petro Chemical Industries	

### Technical Specification Of 100 W Weather Proof Well Glass Fitting ( Non Flame Proof ) - 3R LIGHT

#### Characteristics

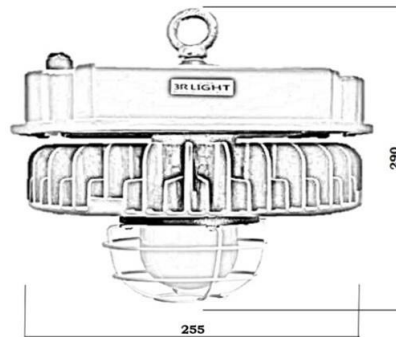
#### Standred Value

SYSTEMS Wattage	100 Watt ( ± 5% )
SYSTEMS Input Voltage	240 Voltage
SYSTEMS Input Frequency	50 / 60 Hz
SYSTEMS Input Current	0.5 A
SYSTEMS Power Factor	> 0.96 THD - < 10%
SYSTEMS Efficiency	> 86.5%
SYSTEMS Light Spreding Angle	Diffuse Degree
SYSTEMS Temperture Class	T 6
SYSTEMS IP Standred	Indoor IP 66
SYSTEMS Total Weight	3.8 Kg ( Approx )
SYSTEMS Starting Time	Rapid .4 Sec.
SYSTEMS Warranty	3 Years
LED Make	Citizen / Bridgelux
LED Certification	LM 80
LED Lamp Type	COB
LED Lamp Lumen @25 Degree C	13248 Lumens
LED Lamp Lumen Efficacy (Lm/Watt)	160 - 165 Lu / Watt
LED Lamp CCT/ Color Rendering Index	6500K / RA 80 Min
LED Lamp Wattage/ Current / Voltage	92 W / 2400 mA / 36 V @ Tc 25 Degree C.
LED Lamp Life	50,000 Hours
LED Lamp Identification Feature	Unique Sr.No on each LED.
Actual test report of CITIZEN LED Lamp	Actual Operating test Report for 50,000 Hrs.
Driver Type	Constant Current ( CC ) mode ( Fulham / Eco Led )
Driver Input Voltage Range	90 ~ 305 V AC
Driver Frequency Range	47 Hz - 63 Hz
Driver Output Protection	Short Circuit, Over Voltage, Surge , IUVP, OOVp
Driver Surge Protection	Inbuilt 04 KV
Luminaries Junction Temperature - Tj	< 84 Degree C.
Luminaries Case Temperature - Tc	< 60 Degree C.
MOC- Heat sink	Aluminium Casting - LM -06



Regd.Office:-H.No.1534/C-101 Parmar Nagar Co.Op.Hsg.Soc. At Bhuvaneshwar,  
Post Varse,Tal.Roha-Raigad Maharashtra 402109 India. 8308378882/9422094430

## Schematic Drawing



- All Technical Parameters & Drawing consider + - 05%

### 3R Light SPECIALITY :

This Fixture is providing required spreaded illumination level without Glare through diffused light.

3R Light products are having Precise Thermal management for longer life and Precise light spreading angle for required illumination.

- Information & Product Change With Out Any Notice

Prepared By

Reviewed By

Approved By

#### SALES & MARKETING OFFICE

SHOP NO.03 & 04, SUNCITY GARDEN PHASE NO.01, BEHIND NAVRATNA HOTEL, AT BHUVANESHWAR, POST- VARSE TAL. ROHA, DIST- RAIGAD, MAHARASHTRA 402109 INDIA. PH.NO.02194-233900, 8308378882, 8308378252

Email: [sales@genlights.in](mailto:sales@genlights.in), Web: [www.genlights.in](http://www.genlights.in)

#### FACTORY I

686, AT POST MEDHA, HANUMANT ALI, NEAR BHAIRI TEMPLE, TAL- ROHA, DIST-RAIGAD, MAHARASHTRA 402109 INDIA.

#### FACTORY II

SHED NO.9/10/11, SURVEY NO.298/1, NEAR L-230, NAGAPUR MIDC, AHMEDNAGAR 414111