



GREEN ENERGY NETWORK



Regd.Office:-H.No.1534/C-101 Parmar Nagar Co.Op.Hsg.Soc. At Bhuvaneshwar,
Post Varse,Tal.Roha-Raigad Maharashtra 402109 India. 8308378882/9422094430

TDS 3R LIGHT - LED COB (PREMIUM) STREET LIGHT - 200 W



Product Specification

Name	200 W Led COB Street Light
Model No	GESLCOB-200P
Doc.No	GESLCOB-200P/1
Date	02/02/2019.

Application

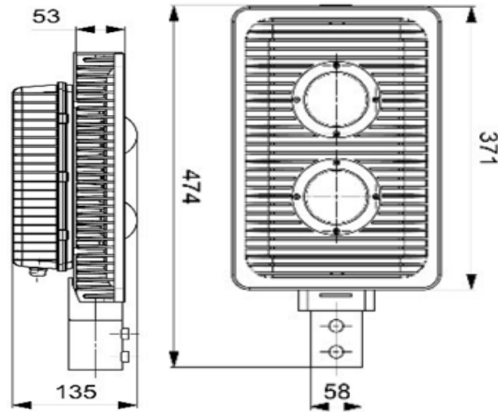
Street Light	Mall
Industrial Road Light	Airport
Dock Yard	

Technical Specification of Energy Efficient 200 W Led COB Street Light (Premium) - 3R LIGHT.

Characteristics	Standred Value
Luminaries Wattage	200 Watt (± 5%)
Luminaries Input Voltage	240 Voltage
Luminaries Input Frequency	50 Hz
Luminaries Input Current	2.8 A
Luminaries Power Factor & THD	>0.95 THD <10%
Luminaries Efficiency	88%
Luminaries Light Spreading Angle	120° X 60°
Luminaries Temperture Class	T 6
Luminaries IP Standred	Outdoor IP 65 / IP 66
Luminaries Total Weight	7.3 Kg (Approx)
Luminaries Starting Time	Rapid .4 Sec.
Luminaries Warranty	5 Years
LED Make	Citizen / Bridgelux
LED Certification	LM 80
LED Lamp Type	COB
LED Lamp Lumen @25 Degree C	26496
LED Lamp Lumen Efficacy (Lm/Watt)	160 - 165 lm / W
LED Lamp CCT/ Color Rendering Index	6500K / RA 80 Min
LED Lamp Wattage/ Current / Voltage	184 W / 3330 mA / 55.2 V @ Tc 25 Degree C.
LED Lamp Life	63,000 Hours
LED Lamp Identification Feature	TDS
Actual test report of LED Lamp	Actual Operating test Report for 1,00,000 Hrs.
Driver Type	Constant Current (CC) Mode (Inventronics)
Driver Input Voltage Range	90 ~ 305 V AC
Driver Frequency Range	47 Hz - 63 Hz
Driver Output Protection	Short Circuit, Over Voltage, Low Voltage & Surge
Driver Surge Protection	4 KV Inbuilt (Additional 10 KV)
Luminaries Junction Temperature - Tj	< 78° C.
Luminaries Case Temperature - Tc	< 65° C.
MOC- Heat sink	Aluminium Casting - LM -06



Schematic Drawing



- All Technical Parameterrs & Drawing consider + - 05%

3R Light SPECIALITY :

This Fixure is providing required spreaded illumination level without Glare through diffused light.
3R Light products are having Precise Thermal management for longer life and Precise light spreading angle for required illumination.

- Information & Product Change With Out Any Notice

Prepared By

Reviewed By

Approved By

Manufacturing Unit I

Galaxy Enterpriies,
Plot No : P - 136,
MIDC Industrial Area, Nagapur,
Ahmednagar : 414111 (Maharashtra, India)
Email : - marketing@3rlight.com
Cell No : 8308961109 / 9922973109 / 8308841109
www.3rlights.com

Manufacturing Unit II

Green Energy Network
686, Near Bhairi Temple, Hanuman Ali,
At Post Medha, Tal Roha Raigad Maharashtra
402109 (India)
Email:- greenenergynetwork82@gmail.com
Cell No : 8308378882 / 9422094430
www.genorg.in