



GREEN ENERGY NETWORK



Regd.Office:-H.No.1534/C-101 Parmar Nagar Co.Op.Hsg.Soc. At Bhuvaneshwar,
Post Varse,Tal.Roha-Raigad Maharashtra 402109 India. 8308378882/9422094430

TDS 3R LIGHT - LED COB (PREMIUM) STREET LIGHT - 180 W



Product Specification

Name	180 W Led COB Street Light
Model No	GENSLCOB-180P
Doc.No	GENSLCOB-180P/1
Date	02/02/2019.

Application

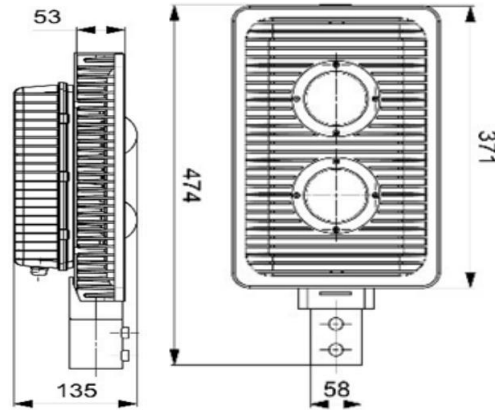
Street Light	Mall
Industrial Road Light	Airport
Dock Yard	

Technical Specification of Energy Efficient 180 W Led COB Street Light (Premium) - 3R LIGHT.

Characteristics	Standred Value
Luminaries Wattage	180 Watt (± 5%)
Luminaries Input Voltage	240 Voltage
Luminaries Input Frequency	50 Hz
Luminaries Input Current	2.8 A
Luminaries Power Factor & THD	>0.95 THD <10%
Luminaries Efficiency	88%
Luminaries Light Spreading Angle	120° X 60°
Luminaries Temperture Class	T 6
Luminaries IP Standred	Outdoor IP 65 / IP 66
Luminaries Total Weight	7.1 Kg (Approx)
Luminaries Starting Time	Rapid .4 Sec.
Luminaries Warranty	5 Years
LED Make	Citizen / Bridgelux
LED Certification	LM 80
LED Lamp Type	COB
LED Lamp Lumen @25 Degree C	23846
LED Lamp Lumen Efficacy (Lm/Watt)	160 - 165 lm / W
LED Lamp CCT/ Color Rendering Index	6500K / RA 80 Min
LED Lamp Wattage/ Current / Voltage	165.6 W / 3030 mA / 54.6 V @ Tc 25 Degree C.
LED Lamp Life	63,000 Hours
LED Lamp Identification Feature	TDS
Actual test report of LED Lamp	Actual Operating test Report for 1,00,000 Hrs.
Driver Type	Constant Current (CC) Mode (Inventronics)
Driver Input Voltage Range	90 ~ 305 V AC
Driver Frequency Range	47 Hz - 63 Hz
Driver Output Protection	Short Circuit, Over Voltage, Low Voltage & Surge
Driver Surge Protection	4 KV Inbuilt (Additional 10 KV)
Luminaries Juction Temperature - Tj	< 78° C.
Luminaries Case Temperature - Tc	< 65° C.
MOC- Heat sink	Aluminium Casting - LM -06



Schematic Drawing



- All Technical Parameters & Drawing consider + - 05%

3R Light SPECIALITY :

This Fixture is providing required spreaded illumination level without Glare through diffused light.
3R Light products are having Precise Thermal management for longer life and Precise light spreading angle for required illumination.

- Information & Product Change With Out Any Notice

Prepared By

Reviewed By

Approved By

SALES & MARKETING OFFICE

SHOP NO.03 & 04, SUNCITY GARDEN PHASE NO.01, BEHIND NAVRATNA HOTEL, AT BHUVANESHWAR, POST- VARSE TAL. ROHA, DIST-RAIGAD, MAHARASHTRA 402109 INDIA. PH.NO.02194-233900, 8308378882, 8308378252

Email: sales@genlights.in, Web: www.genlights.in

FACTORY I

686, AT POST MEDHA, HANUMANT ALI, NEAR BHAIRI TEMPLE, TAL- ROHA, DIST-RAIGAD, MAHARASHTRA 402109 INDIA.

FACTORY II

SHED NO.9/10/11, SURVEY NO.298/1, NEAR L-230, NAGAPUR MIDC, AHMEDNAGAR 414111