



# GREEN ENERGY NETWORK



Regd.Office:-H.No.1534/C-101 Parmar Nagar Co.Op.Hsg.Soc. At Bhuvaneshwar,  
Post Varse,Tal.Roha-Raigad Maharashtra 402109 India. 8308378882/9422094430

**TDS**

## 3R LIGHT - SMD LED ( SUN ) HIGH BAY LIGHT - 50 W



### Product Specification

Name	50 W Multi Led High Bay Light ( Sun )
Model No	GENHBML-SUNO-50
Doc.No	GENHBML-SUNO-50/1
Date	02/02/2019.

### Application

AirPort	Stores
Engineering Shop	Ware House
Fabrication Shop	Mall

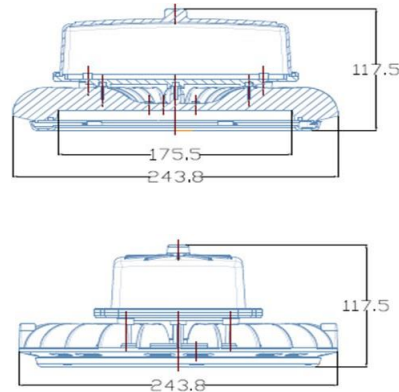
### Technical Specification of Energy Efficient 50 W SMD Led High Bay Light ( Sun ) - 3R LIGHT.

Characteristics	Standred Value
Luminaries Wattage	50 Watt ( ± 5% )
Luminaries Input Voltage	240 Voltage
Luminaries Input Frequency	50 Hz
Luminaries Input Current	0.3 A.
Luminaries Power Factor & THD	>0.95 THD <10%
Luminaries Efficiency	86%
Luminaries Light Spreading Angle	60° / 90° / 120°
Luminaries Temperture Class	T 6
Luminaries IP Standred	Indoor IP 54
Luminaries Total Weight	2.9 Kg ( Approx )
Luminaries Starting Time	Rapid .4 Sec.
Luminaries Warranty	3 Years
LED Make	Osram / Bridgelux
LED Certification	LM 80
LED Lamp Type	SMD ( 5050 )
LED Lamp Lumen @25 Degree C	8280
LED Lamp Lumen Efficacy (Lm/Watt)	200 - 210 lm / W
LED Lamp CCT/ Color Rendering Index	6500K / RA 80 Min
LED Lamp Wattage/ Current / Voltage	46 W / 1150 mA / 30 - 39 V @ Tc 25 Degree C.
LED Lamp Life	50,000 Hours
LED Lamp Identification Feature	TDS
Actual test report of LED Lamp	Actual Operating test Report for 50,000 Hrs.
Driver Type	Constant Current ( CC ) Mode ( Fulham / Eco Led )
Driver Input Voltage Range	90 ~ 305 V AC
Driver Frequency Range	47 Hz - 63 Hz
Driver Output Protection	Short Circuit, Over Voltage, Low Voltage & Surge
Driver Surge Protection	Inbuilt 04 KV ( Additional 10 KV )
Luminaries Juction Temperature - Tj	< 78° C.
Luminaries Case Temperature - Tc	< 65° C.
MOC- Heat sink	Aluminium Casting - LM -06



Regd.Office:-H.No.1534/C-101 Parmar Nagar Co.Op.Hsg.Soc. At Bhuvaneshwar,  
Post Varse,Tal.Roha-Raigad Maharashtra 402109 India. 8308378882/9422094430

## Schematic Drawing



- All Technical Parameters & Drawing consider + - 05%

### 3R Light SPECIALITY :

This Fixture is providing required spreaded illumination level without Glare through diffused light.  
3R Light products are having Precise Thermal management for longer life and Precise light spreading angle for required illumination.

- Information & Product Change With Out Any Notice

Prepared By

Reviewed By

Approved By

#### SALES & MARKETING OFFICE

SHOP NO.03 & 04, SUNCITY GARDEN PHASE NO.01, BEHIND NAVRATNA HOTEL, AT BHUVANESHWAR, POST- VARSE TAL. ROHA,  
DIST-RAIGAD, MAHARASHTRA 402109 INDIA. PH.NO.02194-233900, 8308378882, 8308378252  
Email: [sales@genlights.in](mailto:sales@genlights.in), Web: [www.genlights.in](http://www.genlights.in)

#### FACTORY I

686, AT POST MEDHA, HANUMANT ALI, NEAR BHAIRI TEMPLE, TAL- ROHA, DIST-RAIGAD, MAHARASHTRA 402109 INDIA.

#### FACTORY II

SHED NO.9/10/11, SURVEY NO.298/1, NEAR L-230, NAGAPUR MIDC, AHMEDNAGAR 414111