



GREEN ENERGY NETWORK



Regd.Office:-H.No.1534/C-101 Parmar Nagar Co.Op.Hsg.Soc. At Bhuvaneshwar,
Post Varse,Tal.Roha-Raigad Maharashtra 402109 India. 8308378882/9422094430

TDS

3R LIGHT - SMD LED (SUN) HIGH BAY LIGHT - 120 W



Product Specification

Name	120 W Multi Led High Bay Light (Sun)
Model No	GENHBML-SUNO-120
Doc.No	GENHBML-SUNO-120/1
Date	02/02/2019.

Application

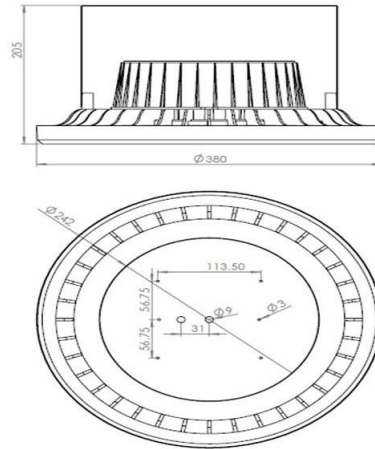
AirPort	Stores
Engineering Shop	Ware House
Fabrication Shop	Mall

Technical Specification of Energy Efficient 120 W SMD Led High Bay Light (Sun) - 3R LIGHT.

Characteristics	Standred Value
Luminaries Wattage	120 Watt (± 5%)
Luminaries Input Voltage	230 Voltge
Luminaries Input Frequency	50 Hz
Luminaries Input Current	0.9 A
Luminaries Power Factor & THD	>0.95 THD <10%
Luminaries Efficiency	86%
Luminaries Light Spreding Angle	60° / 90° / 120°
Luminaries Temperture Class	T6
Luminaries IP Standred	Indoor IP 54
Luminaries Total Weight	4.5 Kg (Approx)
Luminaries Starting Time	Rapid .4 Sec.
Luminaries Warrantly	3 Years
LED Make	Osram / Bridgelux
LED Certification	LM 80
LED Lamp Type	SMD (5050)
LED Lamp Lumen @25 Degree C	19872
LED Lamp Lumen Efficacy (Lm/Watt)	200 - 210 lm / W
LED Lamp CCT/ Color Rendering Index	6500K / RA 80 Min
LED Lamp Wattage/ Current / Voltage	110.4 W / 700 mA / 120 - 160 V @ Tc 25 Degree C.
LED Lamp Life	50,000 Hours
LED Lamp Identification Feature	TDS
Actual test report of LED Lamp	Actual Operating test Report for 50,000 Hrs.
Driver Type	Constant Current (CC) Mode (Fulham / Eco Led)
Driver Input Voltage Range	90 ~ 305 V AC
Driver Frequency Range	47 Hz - 63 Hz
Driver Output Protection	Short Circuit, Over Voltage, Low Voltage & Surge
Driver Surge Protection	6 KV Inbuild (Additional 10 KV)
Luminaries Juction Temperature - Tj	< 78° C.
Luminaries Case Temperature - Tc	< 65° C.
MOC- Heat sink	Aluminium Casting - LM -06



Schematic Drawing



- All Technical Parameters & Drawing consider + - 05%

3R Light SPECIALITY :

This Fixture is providing required spreaded illumination level without Glare through diffused light.
3R Light products are having Precise Thermal management for longer life and Precise light spreading angle for required illumination.

- Information & Product Change With Out Any Notice

Prepared By

Reviewed By

Approved By

SALES & MARKETING OFFICE

SHOP NO.03 & 04, SUNCITY GARDEN PHASE NO.01, BEHIND NAVRATNA HOTEL, AT BHUVANESHWAR, POST- VARSE TAL. ROHA,
DIST-RAIGAD, MAHARASHTRA 402109 INDIA. PH.NO.02194-233900, 8308378882, 8308378252

Email: sales@genlights.in, Web: www.genlights.in

FACTORY I

686, AT POST MEDHA, HANUMANT ALI, NEAR BHAIRI TEMPLE, TAL- ROHA, DIST-RAIGAD, MAHARASHTRA 402109 INDIA.

FACTORY II

SHED NO.9/10/11, SURVEY NO.298/1, NEAR L-230, NAGAPUR MIDC, AHMEDNAGAR 414111