



GREEN ENERGY NETWORK



Regd.Office:-H.No.1534/C-101 Parmar Nagar Co.Op.Hsg.Soc. At Bhuvaneshwar,
Post Varse,Tal.Roha-Raigad Maharashtra 402109 India. 8308378882/9422094430

TDS

3R LIGHT - SMD LED HIGH BAY LIGHT (LINEAR) 1 FT X 4 FT - 100 W



Product Specification

Name	100 W SMD Led High Bay Light (1 X 4)
Model No	GENHBL-100-1X4
Doc.No	GENHBL-100-1X4 / 2
Date	15/02/2021.

Application

Work Shop / Ware House	Engineering Shop
Assembly Area	Airport
Fabrication Shop	Mall

Technical Specification of Energy Efficient 100 W SMD Led 1 Ft X 4 Ft High Bay Light - 3R LIGHT

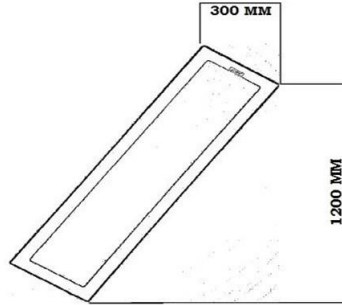
Characteristics

Standred Value

Luminaries Wattage	100 Watt (± 5%)
Luminaries Input Voltage	240 Voltage
Luminaries Input Frequency	50 Hz
Luminaries Input Current	0.8 A
Luminaries Power Factor	>0.96
Luminaries Efficiency	> 90%
Luminaries Light Spreding Angle	180°
Luminaries Temperture Class	CRCA Powder coated sheet
Luminaries IP Standred	Indoor IP 20
Luminaries Total Weight	4.5 Kg (Approx)
Luminaries Starting Time	Rapid .4 Sec.
Luminaries Warranty	3 Years
LED Make	Everlite / Seoul
LED Certification	LM 80
LED Lamp Type	SMD (2835)
LED Lamp Lumen @25 Degree C	9200
LED Lamp Lumen Efficacy (Lm/Watt)	100 Lu/Watt
LED Lamp CCT/ Color Rendering Index	6500K / RA 80 Min
LED Lamp Wattage/ Current / Voltage	92 W / 2300 mA / 30 - 39 V @ Tc 25 Degree C.
LED Lamp Life	50,000 Hours
LED Lamp Identification Feature	TDS
Actual test report of LED Lamp	Actual Operating test Report for 50,000 Hrs.
Driver Type	Constant Current (CC) Mode (Fulham / Eco Led)
Driver Input Voltage Range	90 ~ 305 V AC
Driver Frequency Range	47 Hz - 63 Hz
Driver Output Protection	Short Circuit, Over Voltage, Low Voltage & Surge
Driver Surge Protection	Inbuilt 4 KV
Luminaries Juction Temperature - Tj	< 78 Degree C.
Luminaries Case Temperature - Tc	< 65 Degree C.
MOC- Heat sink	Use Aluminium Heat Sink, Thick Ness 1.5 MM

Regd.Office:-H.No.1534/C-101 Parmar Nagar Co.Op.Hsg.Soc. At Bhuvaneshwar,
Post Varse,Tal.Roha-Raigad Maharashtra 402109 India. 8308378882/9422094430

Schematic Drawing



- All Technical Parameters & Drawing consider + - 05%

3R Light SPECIALITY :

This Fixture is providing required spreaded illumination level without Glare through diffused light.
3R Light products are having Precise Thermal management for longer life and Precise light spreading angle for required illumination.

- Information & Product Change With Out Any Notice

Prepared By

Reviewed By

Approved By

SALES & MARKETING OFFICE

SHOP NO.03 & 04, SUNCITY GARDEN PHASE NO.01, BEHIND NAVRATNA HOTEL, AT BHUVANESHWAR, POST- VARSE TAL. ROHA,
DIST-RAIGAD, MAHARASHTRA 402109 INDIA. PH.NO.02194-233900, 8308378882, 8308378252

Email: sales@genlights.in, Web: www.genlights.in

FACTORY I

686, AT POST MEDHA, HANUMANT ALI, NEAR BHAIRI TEMPLE, TAL- ROHA, DIST-RAIGAD, MAHARASHTRA 402109 INDIA.

FACTORY II

SHED NO.9/10/11, SURVEY NO.298/1, NEAR L-230, NAGAPUR MIDC, AHMEDNAGAR 414111