



GREEN ENERGY NETWORK



Regd. Office: -H.No.1534/C-101 Parmar Nagar Co.Op.Hsg.Soc. At Bhuvaneshwar,
Post Varse,Tal.Roha-Raigad Maharashtra 402109 India. 8308378882/9422094430

TDS

LED COB FLAME PROOF FITTING (PREMIUM) SUN FLOWER - 80 W



Product Specification

Name	80 W Led COB Flame Proof Light
Model No	FLPMPCOB-SF-80P
Doc.No	FLPMPCOB-SF-80P/1
Date	02/02/2019.

Application

Chemical Industries	Oil Refinery
Mining Industries	Hazardous Industries
Petro Chemical Industries	Pharma Industries

Technical Specification of Energy Efficient 80 W Led COB Flame Proof Fitting (Sun Flower)

Characteristics

Standard Value

Luminaries Wattage	80 Watt (± 5%)
Luminaries Input Voltage	240 Voltage
Luminaries Input Frequency	50 Hz
Luminaries Input Current	0.8 A
Luminaries Power Factor & THD	>0.95 THD <10%
Luminaries Efficiency	89%
Luminaries Light Spreading Angle	120°
Luminaries Temperature Class	T 6
Luminaries IP Standard	Indoor / Outdoor IP 66
Luminaries Total Weight	4.1 Kg (Approx)
Luminaries Starting Time	Rapid .4 Sec.
Luminaries Warranty	3 Years
LED Make	Citizen / Bridgelux
LED Certification	LM 80
LED Lamp Type	COB
LED Lamp Lumen @25 Degree C	10598
LED Lamp Lumen Efficacy (lm/Watt)	160 - 165 lm / W
LED Lamp CCT/ Color Rendering Index	6500K / RA 80 Min
LED Lamp Wattage/ Current / Voltage	73.6 W / 2000 mA / 36 V @ Tc 25 Degree C.
LED Lamp Life	63,000 Hours
LED Lamp Identification Feature	TDS
Actual test report of LED Lamp	Actual Operating test Report for 1,00,000 Hrs.
Driver Type	Constant Current (CC) Mode (Inventronics)
Driver Input Voltage Range	90 ~ 305 V AC
Driver Frequency Range	47 Hz - 63 Hz
Driver Output Protection	Short Circuit, Over Voltage, Low Voltage & Surge
Driver Surge Protection	4 KV Inbuilt
Luminaries Junction Temperature - Tj	< 83° C.
Luminaries Case Temperature - Tc	< 62° C.
MOC- Heat sink	Aluminium Casting - LM -06

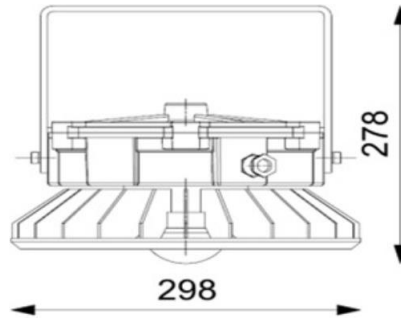
Certification : CIMFR & PESO Approved

Enclosure Make : Agnus / ILS



Regd.Office:-H.No.1534/C-101 Parmar Nagar Co.Op.Hsg.Soc. At Bhuvaneshwar,
Post Varse,Tal.Roha-Raigad Maharashtra 402109 India. 8308378882/9422094430

Schematic Drawing



- All Technical Parameterrrs & Drawing consider + - 05%

SPECIALITY :

This Fixure is providing required spreaded illumination level without Glare through diffused light. Products are having Precise Thermal management for longer life and Precise light spreading angle for required illumination.

- Information & Product Change With Out Any Notice

Prepared By

Reviewed By

Approved By

SALES & MARKETING OFFICE
SHOP NO.03 & 04, SUNCITY GARDEN PHASE NO.01, BEHIND NAVRATNA HOTEL, AT BHUVANESHWAR, POST- VARSE TAL. ROHA,
DIST-RAIGAD, MAHARASHTRA 402109 INDIA. PH.NO.02194-233900, 8308378882, 8308378252
Email: sales@genlights.in, Web: www.genlights.in

FACTORY I
686, AT POST MEDHA, HANUMANT ALI, NEAR BHAI RI TEMPLE, TAL- ROHA, DIST-RAIGAD, MAHARASHTRA 402109 INDIA.

FACTORY II
SHED NO.9/10/11, SURVEY NO.298/1, NEAR L-230, NAGAPUR MIDC, AHMEDNAGAR 414111