



# GREEN ENERGY NETWORK



Regd. Office: -H.No.1534/C-101 Parmar Nagar Co.Op.Hsg.Soc. At Bhuvaneshwar,  
Post Varse,Tal.Roha-Raigad Maharashtra 402109 India. 8308378882/9422094430

**TDS**

## LED COB FLAME PROOF FITTING ( PREMIUM ) SUN FLOWER - 45 W



### Product Specification

|          |                                |
|----------|--------------------------------|
| Name     | 45 W Led COB Flame Proof Light |
| Model No | FLPMPCOB-SF-45P                |
| Doc.No   | FLPMPCOB-SF-45P/1              |
| Date     | 02/02/2019.                    |

### Application

|                           |                      |
|---------------------------|----------------------|
| Chemical Industries       | Oil Refinery         |
| Mining Industries         | Hazardous Industries |
| Petro Chemical Industries | Pharma Industries    |

### Technical Specification of Energy Efficient 45 W Led COB Flame Proof Fitting ( Sun Flower )

#### Characteristics

#### Standard Value

|                                       |  |
|---------------------------------------|--|
| Luminaries Wattage                    | 45 Watt ( ± 5% )                                 |
| Luminaries Input Voltage              | 240 Voltage                                      |
| Luminaries Input Frequency            | 50 Hz  |
| Luminaries Input Current              | 0.4 A.   |
| Luminaries Power Factor & THD         | >0.95 THD <10%                                   |
| Luminaries Efficiency                 | 86%  |
| Luminaries Light Spreading Angle      | 120°   |
| Luminaries Temperature Class          | T 6  |
| Luminaries IP Standard                | Indoor / Outdoor IP 66                           |
| Luminaries Total Weight               | 2.9 Kg ( Approx )                                |
| Luminaries Starting Time              | Rapid .4 Sec.                                    |
| Luminaries Warranty                   | 3 Years  |
| LED Make                              | Citizen / Bridgelux                              |
| LED Certification                     | LM 80  |
| LED Lamp Type                         | COB  |
| LED Lamp Lumen @25 Degree C           | 5961   |
| LED Lamp Lumen Efficacy ( Lm / Watt ) | 160 - 165 lm / W                                 |
| LED Lamp CCT/ Color Rendering Index   | 6500K / RA 80 Min                                |
| LED Lamp Wattage/ Current / Voltage   | 41.4 W / 1150 mA / 30 - 39 V @ Tc 25 Degree C.   |
| LED Lamp Life                         | 63,000 Hours                                     |
| LED Lamp Identification Feature       | TDS  |
| Actual test report of LED Lamp        | Actual Operating test Report for 1,00,000 Hrs.   |
| Driver Type                           | Constant Current ( CC ) Mode ( Inventronics )    |
| Driver Input Voltage Range            | 90 ~ 305 V AC                                    |
| Driver Frequency Range                | 47 Hz - 63 Hz                                    |
| Driver Output Protection              | Short Circuit, Over Voltage, Low Voltage & Surge |
| Driver Surge Protection               | 4 KV Inbuilt                                     |
| Luminaries Junction Temperature - Tj  | < 83° C.   |
| Luminaries Case Temperature - Tc      | < 60° C.   |
| MOC- Heat sink                        | Aluminium Casting - LM -06                       |

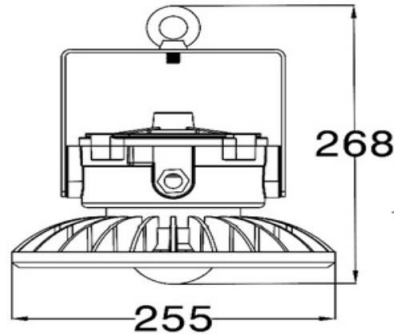
**Certification : CIMFR & PESO Approved**

**Enclosure Make : Agnus / ILS**



Regd.Office:-H.No.1534/C-101 Parmar Nagar Co.Op.Hsg.Soc. At Bhuvaneshwar,  
Post Varse,Tal.Roha-Raigad Maharashtra 402109 India. 8308378882/9422094430

## Schematic Drawing



- All Technical Parameters & Drawing consider + - 05%

### SPECIALITY :

This Fixture is providing required spreaded illumination level without Glare through diffused light. Products are having Precise Thermal management for longer life and Precise light spreading angle for required illumination.

- Information & Product Change With Out Any Notice

Prepared By

Reviewed By

Approved By

### SALES & MARKETING OFFICE

SHOP NO.03 & 04, SUNCITY GARDEN PHASE NO.01, BEHIND NAVRATNA HOTEL, AT BHUVANESHWAR, POST- VARSE TAL. ROHA, DIST-RAIGAD, MAHARASHTRA 402109 INDIA. PH.NO.02194-233900, 8308378882, 8308378252

Email: [sales@genlights.in](mailto:sales@genlights.in), Web: [www.genlights.in](http://www.genlights.in)

### FACTORY I

686, AT POST MEDHA, HANUMANT ALI, NEAR BHAIRI TEMPLE, TAL- ROHA, DIST-RAIGAD, MAHARASHTRA 402109 INDIA.

### FACTORY II

SHED NO.9/10/11, SURVEY NO.298/1, NEAR L-230, NAGAPUR MIDC, AHMEDNAGAR 414111