



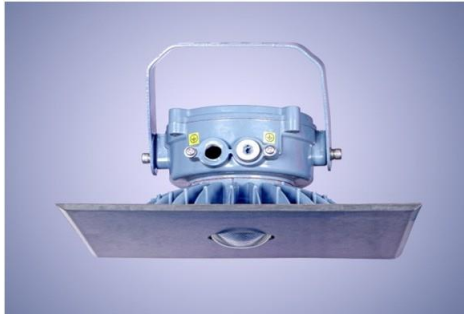
GREEN ENERGY NETWORK

Regd.Office:-H.No.1534/C-101 Parmar Nagar Co.Op.Hsg.Soc. At Bhuvaneshwar,
Post Varse,Tal.Roha-Raigad Maharashtra 402109 India. 8308378882/9422094430



TDS

LED COB FLAME PROOF CLEAN ROOM FITTING (ECO SUPER) SUN FLOWER - 45 W



Product Specification

Name	45 W Led COB Flame Proof Light
Model No	FLPCR-SF-ES-45
Doc.No	FLPCR-SF-ES-45/1
Date	02/02/2021.

Application

Chemical Industries	Oil Refinery
Mining Industries	Hazardous Industries
Petro Chemical Industries	Pharma Industries

Technical Specification of Energy Efficient 45 W Led COB Flaem Proof Fitting (Sun Flower) (Clean Room)

Characteristics	Standred Value
Luminaries Wattage	45 Watt (± 5%)
Luminaries Input Voltage	240 Voltage
Luminaries Input Frequency	50 Hz
Luminaries Input Current	0.4 A.
Luminaries Power Factor & THD	>0.95 THD <10%
Luminaries Efficiency	86%
Luminaries Light Spreding Angle	120°
Luminaries Temperture Class	T 6
Luminaries IP Standred	Indoor IP 66
Luminaries Total Weight	3.9 Kg (Approx)
Luminaries Starting Time	Rapid 0.4 Sec.
Luminaries Warranty	3 Years
LED Make	Citizen / Bridgelux
LED Certification	LM 80
LED Lamp Type	COB
LED Lamp Lumen @25 Degree C	5961
LED Lamp Lumen Efficacy (Lm / Watt)	160 - 165 lm / W
LED Lamp CCT/ Color Rendering Index	6500K / RA 80 Min
LED Lamp Wattage/ Current / Voltage	41.4 W / 1150 mA / 30 - 39 V @ Tc 25 Degree C.
LED Lamp Life	50,000 Hours
LED Lamp Identification Feature	TDS
Actual test report of LED Lamp	Actual Operating test Report for 50,000 Hrs.
Driver Type	Constant Current (CC) Mode (Fulham / Eco Led)
Driver Input Voltage Range	90 ~ 305 V AC
Driver Frequency Range	47 Hz - 63 Hz
Driver Output Protection	Short Circuit, Over Voltage, Low Voltage & Surge
Driver Surge Protection	4 KV Inbuilt (Additional 10 KV)
Luminaries Junction Temperature - Tj	< 83° C.
Luminaries Case Temperature - Tc	< 60° C.
MOC- Heat sink	Aluminium Casting - LM -06

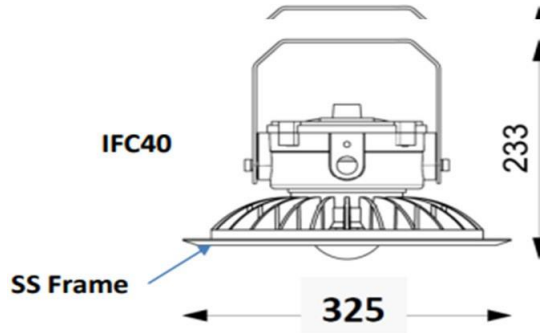
Certification : CIMFR & PESO Approved

Enclosure Make : Agnus / ILS



Regd.Office:-H.No.1534/C-101 Parmar Nagar Co.Op.Hsg.Soc. At Bhuvaneshwar,
Post Varse,Tal.Roha-Raigad Maharashtra 402109 India. 8308378882/9422094430

Schematic Drawing



- All Technical Parameters & Drawing consider + - 05%

SPECIALITY :

This Fixture is providing required spreaded illumination level without Glare through diffused light. Products are having Precise Thermal management for longer life and Precise light spreading angle for required illumination.

- Information & Product Change With Out Any Notice

Prepared By

Reviewed By

Approved By

SALES & MARKETING OFFICE
SHOP NO.03 & 04, SUNCITY GARDEN PHASE NO.01, BEHIND NAVRATNA HOTEL, AT BHUVANESHWAR, POST- VARSE TAL. ROHA,
DIST-RAIGAD, MAHARASHTRA 402109 INDIA. PH.NO.02194-233900, 8308378882, 8308378252
Email: sales@genlights.in, Web: www.genlights.in

FACTORY I
686, AT POST MEDHA, HANUMANT ALI, NEAR BHAIRI TEMPLE, TAL- ROHA, DIST-RAIGAD, MAHARASHTRA 402109 INDIA.

FACTORY II
SHED NO.9/10/11, SURVEY NO.298/1, NEAR L-230, NAGAPUR MIDC, AHMEDNAGAR 414111

