



GREEN ENERGY NETWORK



Regd. Office:-H.No.1534/C-101 Parmar Nagar Co.Op.Hsg.Soc. At Bhuvaneshwar,
Post Varse,Tal.Roha-Raigad Maharashtra 402109 India. 8308378882/9422094430

TDS COB LED REACTOR VESSEL LAMP - 15 W



Product Specification	
Name	15 W Reactor Vessel Lamp Light
Model No	FLPCOBRV-15E
Doc.No	FLPCOBRV-15E/1
Date	02/02/2021.
Application	
Chemical Industries	Oil Refinery
Mining Industries	Hazardous Industries
Petro Chemical Industries	Pharma Industries

Technical Specification of Energy Efficient 15 W COB Led Flame Proof Vessel Lamp

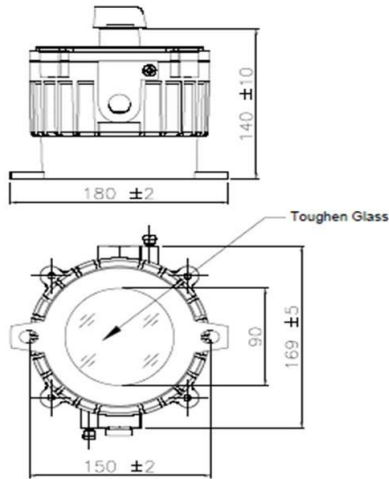
Characteristics	Standred Value
Luminaries Wattage	15 Watt (± 5%)
Luminaries Input Voltage	240 Voltage
Luminaries Input Frequency	50 Hz
Luminaries Input Current	0.09 A.
Luminaries Power Factor & THD	>0.90 THD <10%
Luminaries Efficiency	86%
Luminaries Light Spreding Angle	120°
Luminaries Temperture Class	T 6
Luminaries IP Standred	IP 66
Luminaries Total Weight	2.9 Kg (Approx)
Luminaries Starting Time	Rapid .4 Sec.
Luminaries Warranty	2 Years
LED Make	Citizen / BridgeLux
LED Certification	LM 80
LED Lamp Type	COB
LED Lamp Lumen @25 Degree C	1987
LED Lamp Lumen Efficacy (Lm/Watt)	165 - 170 lm / W
LED Lamp CCT/ Color Rendering Index	6500 K / RA 80 Min
LED Lamp Wattage/ Current / Voltage	13.8 W / 400 mA / 21 - 42 V @ Tc 25 Degree C.
LED Lamp Life	30,000 Hours
LED Lamp Identification Feature	TDS
Actual test report of LED Lamp	Actual Operating test Report for 30,000 Hrs.
Driver Type	Constant Current (CC) Mode
Driver Input Voltage Range	90 ~ 305 V AC
Driver Frequency Range	47 Hz - 63 Hz
Driver Output Protection	Short Circuit, Over Voltage, Low Voltage & Surge
Driver Surge Protection	4 KV
Luminaries Junction Temperature - Tj	< 78° C.
Luminaries Case Temperature - Tc	< 65° C.
MOC- Heat sink	Aluminium Casting - LM -06

Certification : CIMFR & PESO Approved

Enclosure Make : Agnus / ILS



Schematic Drawing



- All Technical Parameters & Drawing consider + - 05%

SPECIALITY :

This Fixture is providing required spreaded illumination level without Glare through diffused light. Products are having Precise Thermal management for longer life and Precise light spreading angle for required illumination.

- Information & Product Change With Out Any Notice

Prepared By

Reviewed By

Approved By

SALES & MARKETING OFFICE

SHOP NO.03 & 04, SUNCITY GARDEN PHASE NO.01, BEHIND NAVRATNA HOTEL, AT BHUVANESHWAR, POST- VARSE TAL.
ROHA, DIST-RAIGAD, MAHARASHTRA 402109 INDIA. PH.NO.02194-233900, 8308378882, 8308378252
Email: sales@genlights.in, Web: www.genlights.in

FACTORY I

686, AT POST MEDHA, HANUMANT ALI, NEAR BHAIRI TEMPLE, TAL- ROHA, DIST-RAIGAD, MAHARASHTRA 402109 INDIA.

FACTORY II

SHED NO.9/10/11, SURVEY NO.298/1, NEAR L-230, NAGAPUR MIDC, AHMEDNAGAR 414111